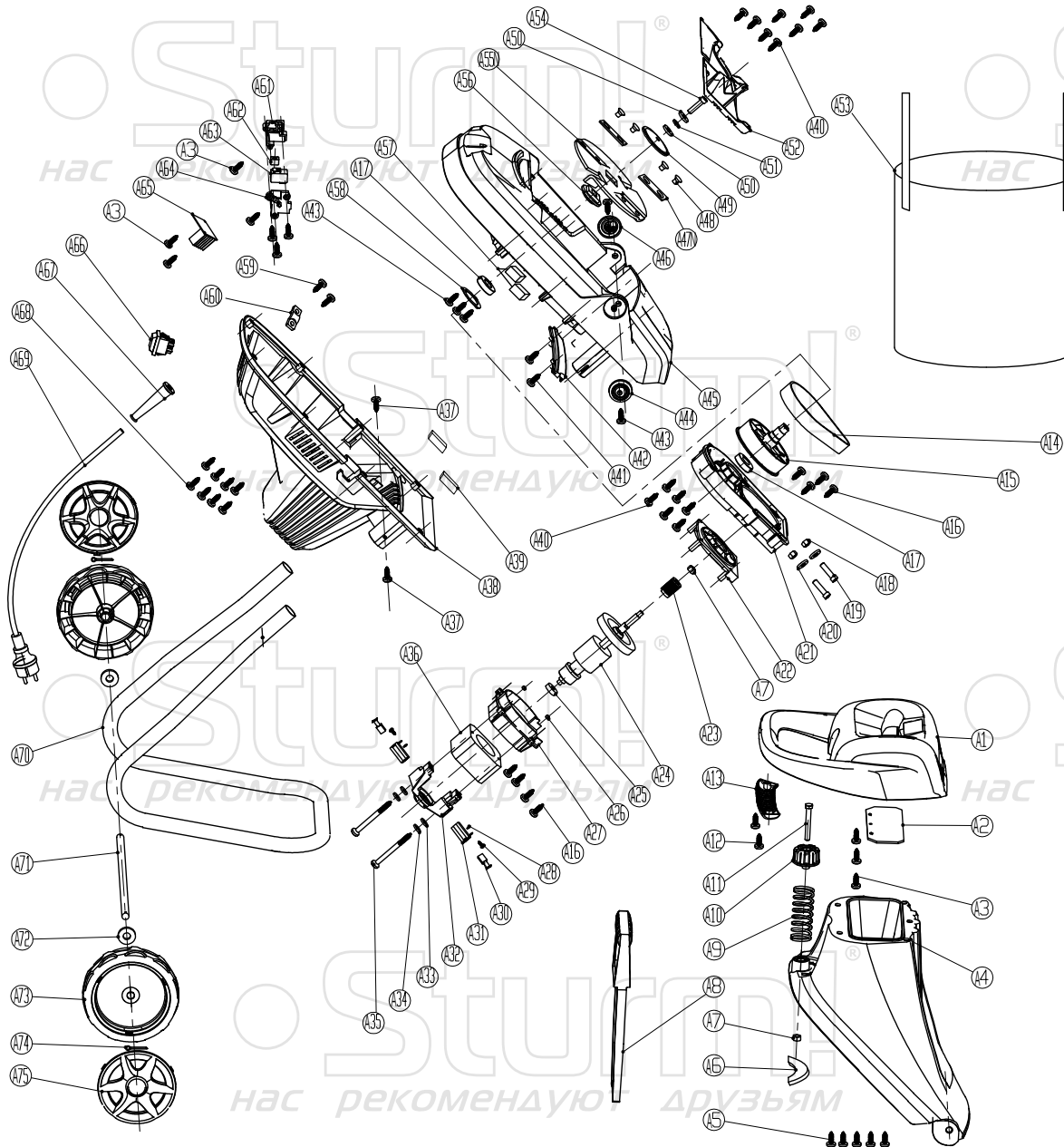


GES2550



NO.	DESCRIPTION	NO.	DESCRIPTION
A1	FEED HOPPER	A42	GUIDE PLATE
A2	RETAINING PIN BOARD	A43	SCREW ST4X12
A3	SCREW ST4X16	A44	RIGHT-HANDED ROTATION
A4	UPPER HOUSING	A45	LOWER HOUSING
A5	SCREW ST5X20	A46	LEFT-HANDED ROTATION
A6	SPONGE	A47N	BLADE
A7	NUT M8	A48	BOLT M10x10
A8	DISCHARGING ROD	A49	PRESSURE PLATE
A9	SPRING	A50	WASHER Ф8
A10	KNOB	A51	BLOCK BOARD
A11	HEXAGON BOLT M8X60	A52	SCREW ST4X20
A12	SCREW ST4X16	A53	GARBAGE BAG
A13	FEED HOPPER HANDLE	A54	BOLT M8x30
A14	BELT	A55N	CUTTER HEAD
A15	BIG BELT WHEEL	A56	TRANSMISSION BLOCK
A16	SCREW ST5X16	A57	SPONGE
A17	BEARING 6003RS	A58	BEARING PLATE
A18	NUT M6	A59	SCREW ST4X18
A19	BOLT M6x16	A60	CABLE ANCHORAGE
A20	WASHER Ф6	A61	LEFT SWITCH BOX
A21	BELT BRACKET(WHITH BEARING 6003RS)	A62	NUT M8
A22	MOTOR FRONT HOLDER	A63	INTERLOCK SWITCH
A23	SMALL BELT WHEEL	A64	RIGHT SWITCH BOX
A24	ROTOR	A65	PCB
A25	BEARING 608RS	A66	SWITCH
A26	NUT 4	A67	CABLE SLEEVE
A27	WIND SHIELD	A68	SCREW ST4X18
A28	WASHER Ф4	A69	POWER CORD
A29	SCREW ST3X8	A70	SUPPORTING TUBE
A30	CARBON BRUSH	A71	WHEEL AXLE
A31	CARBON BRUSH HOLDER	A72	WASHER Ф4
A32	MOTOR REAR HOLDER	A73	WHEEL
A33	WASHER Ф4	A74	R PIN
A34	SPRING WASHER Ф4	A75	WHEEL COVER
A35	STATOR SCREW M4X65		
A36	STATOR		
A37	SCREW ST5X20		
A38	MOTOR HOUSING		
A39	SPONGE		
A40	SCREW ST4X20		
A41	SCREW ST4X14		

GES2550-EX-RU241023-2 VER2.1